



TG-300 Tungsten Grinder

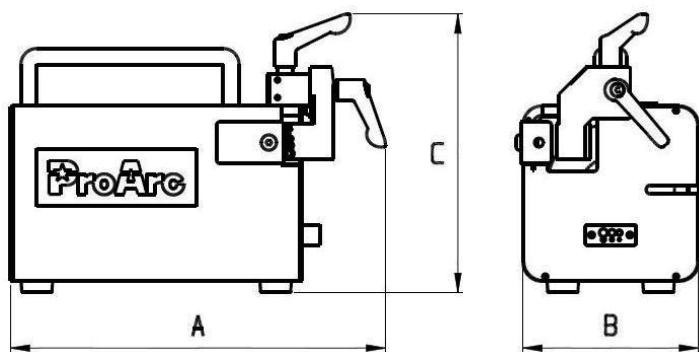
ProArc Tungsten grinder TG-300 in compact and durable design offers easy operation and supports widely range electrode sizes grinding.

TG-300 is the high grade deluxe model.

Specification

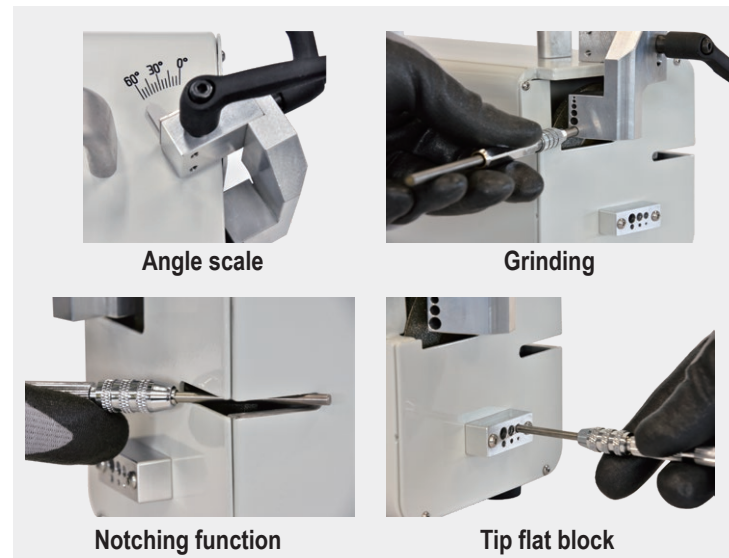
Model	Unit	TG-300					
Power input		110 VAC , 50/60Hz (Part No. 6409-3000) 220 VAC , 50/60Hz (Part No. 6409-3010)					
Angle	Deg	10° ~ 60°					
Electrode Diameter	mm	1.0	1.6	2.4	3.2	4.0	4.8
Mini. Electrode Length	mm	44.5					
Overall Length (A)	mm	238					
Overall Width (B)	mm	110					
Overall Height (C)	mm	174					
Weight	Kg	6.5					

Dimension



Features

- Notching function for electrode simple split-off
- Tip flat block for square end grinding and removing bad tips
- Double-sided grinding wheel for maximum wheel life and value
- Universal collect arm for 6 electrode sizes
- Easy set-up



Options

- Tungsten pin vise $\varnothing 1.0 \sim 3.2$ mm
Part No. 6409-0020
- Tungsten pin vise $\varnothing 4.0 \sim 4.8$ mm
Part No. 6409-0030
- Fine diamond grinding wheel
Part No. 6409-0010

