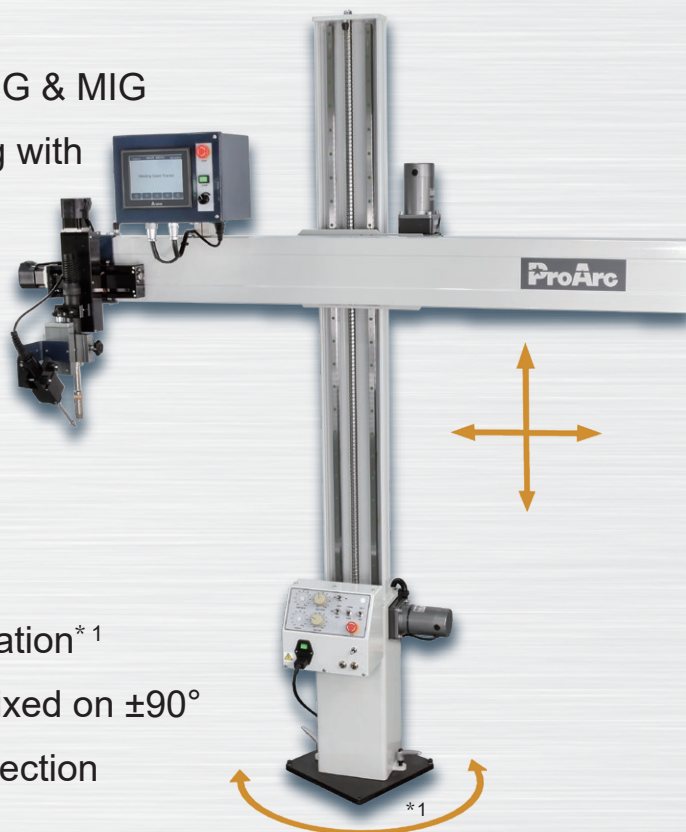


## Motorized Manipulator

ProArc MP-1212 is designed specifically for TIG & MIG circumferential welding application. Combining with ProArc welding turntables or rollers, you can develop your own welding automation system and maximize your work efficiency.

### Features

- Rigid body structure
- Motorized column and boom control
- 360° base rotation for flexible welding application\* 1
- Torch holder with dual X/Y axis torch slides fixed on  $\pm 90^\circ$  rotating seat for ease of movement in all direction



• MP-1212 + ST-150

Model	Unit	MP-1212	MP-1212E
Power input		1Ø 100~240VAC 50/60Hz	
Stroke (E x F)	mm	1,200 x 1,150	1,200 x 1,200
Lift motor	hp	1/12	
Lifting speed	mm/min	950	
Column rotation	deg	360 (Manual)	
Dimension (A x B x C)	mm	2,030 x 1,520 x 430	
Min. boom height from floor (D)	mm	600	
Boom motor	hp	1/12	N/A
Boom speed	mm/min	80 ~ 1,600	N/A
Boom load capacity	kg	50	

※ Specification is subject to change without prior notice.

### Dimensions

